



MUSEUM OF  
CONTEMPORARY  
ART ARLINGTON

Gallery Floor Plans  
SOLOS 2023

# TABLE OF CONTENTS

## -GROUND LEVEL

-CHARLES E. SMITH CORRIDOR GALLERY 2

-CHAIRMEN'S GALLERY 3

## -LOWER LEVEL

-EXPERIMENTAL GALLERY 4

-TRULAND GALLERY 5

## NOTES

-Systems (including fire alarms, key-pads, etc.) are not to scale

-Systems are measured from the center of the object to the wall. The height of the object is measured from the ground to the bottom of the object.

-Unless otherwise noted, systems are located on the center of a wall

-Unless otherwise noted, walls are permanent

-Wall and floor Sq Ft. account for usable space

## KEY

NTS



Not To Scale

Two systems (including fire alarms, key-pads, etc.) that are the same distance from wall but at different heights



Systems located on the wall

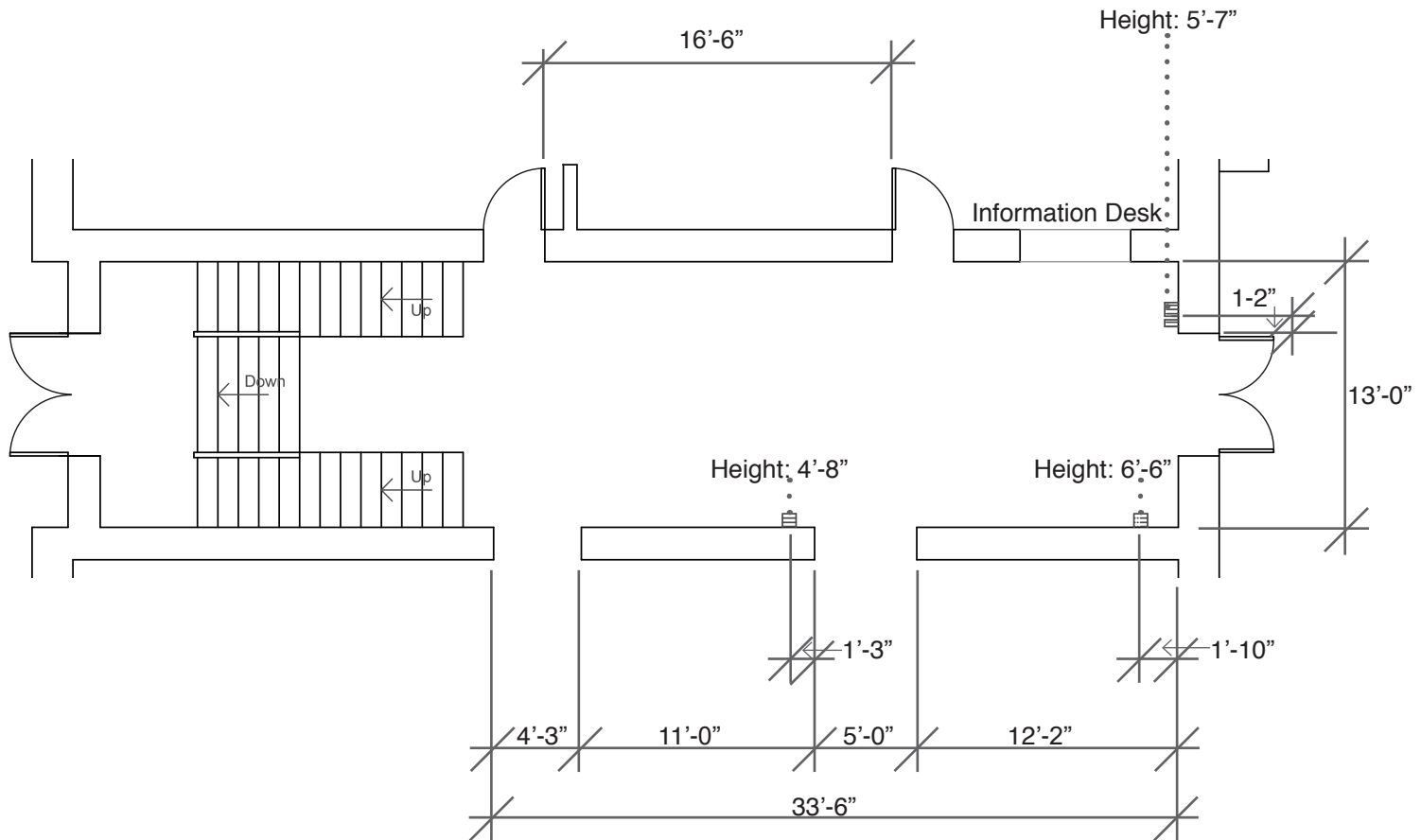


Symbol showing gallery location on floor plan

# CHARLES E. SMITH CORRIDOR GALLERY

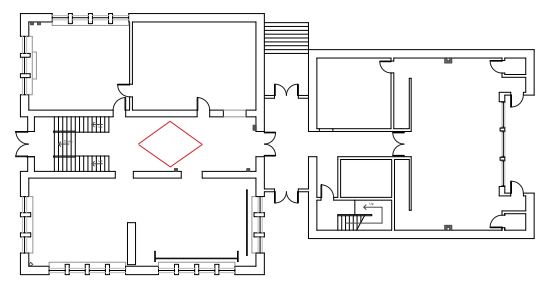
FLOOR: 455 SQ FT.  
WALL: 464 SQ FT.  
WALL HEIGHT: 11'-3"

Wilson Blvd. 



FLOOR PLAN

NTS



GROUND LEVEL

# CHAIRMEN'S GALLERY

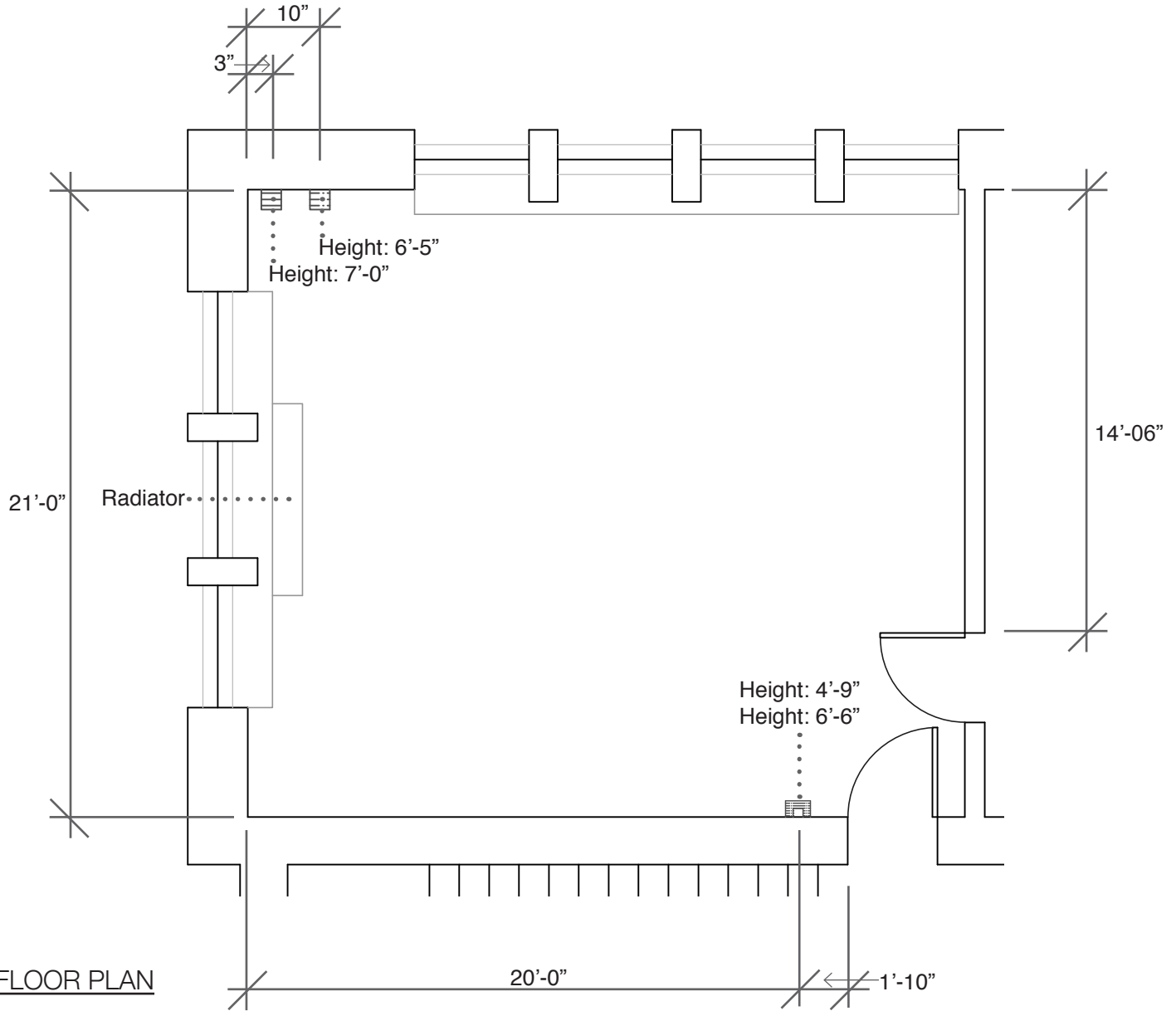
FLOOR: 470 SQ FT.

WALL: 348 SQ FT.

WALL HEIGHT: 10'-0"

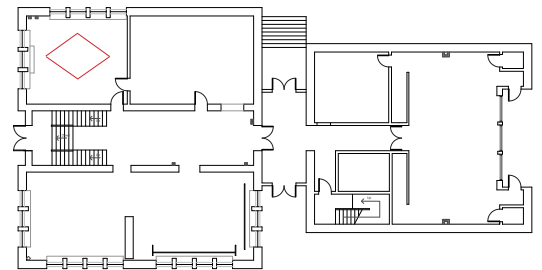


Wilson Blvd.



FLOOR PLAN

NTS

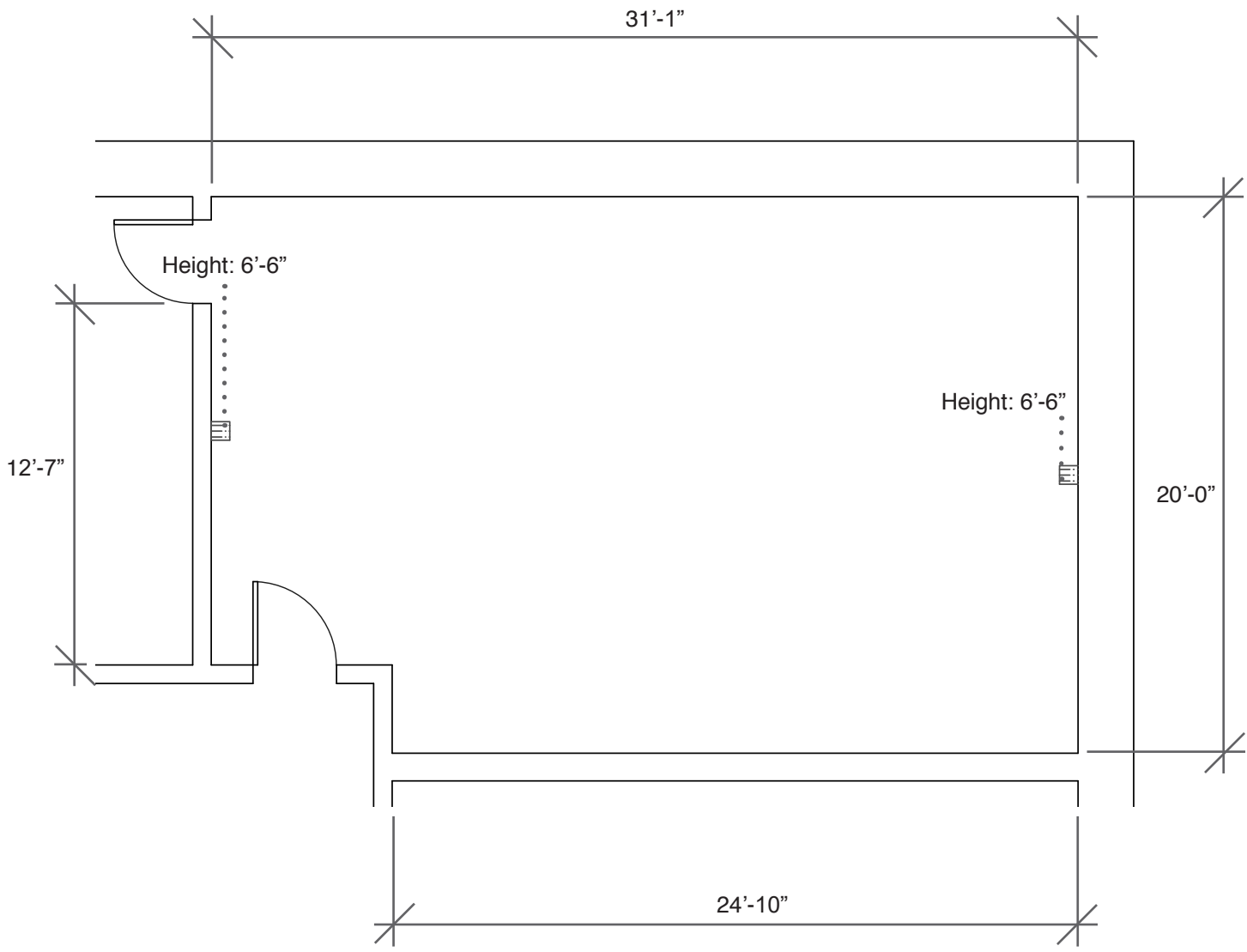


GROUND LEVEL

# EXPERIMENTAL GALLERY

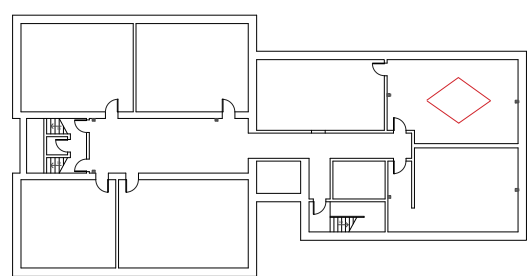
FLOOR: 603 SQ FT.  
WALL: 680 SQ FT.  
WALL HEIGHT: 7'-8"

Wilson Blvd. 



FLOOR PLAN

NTS

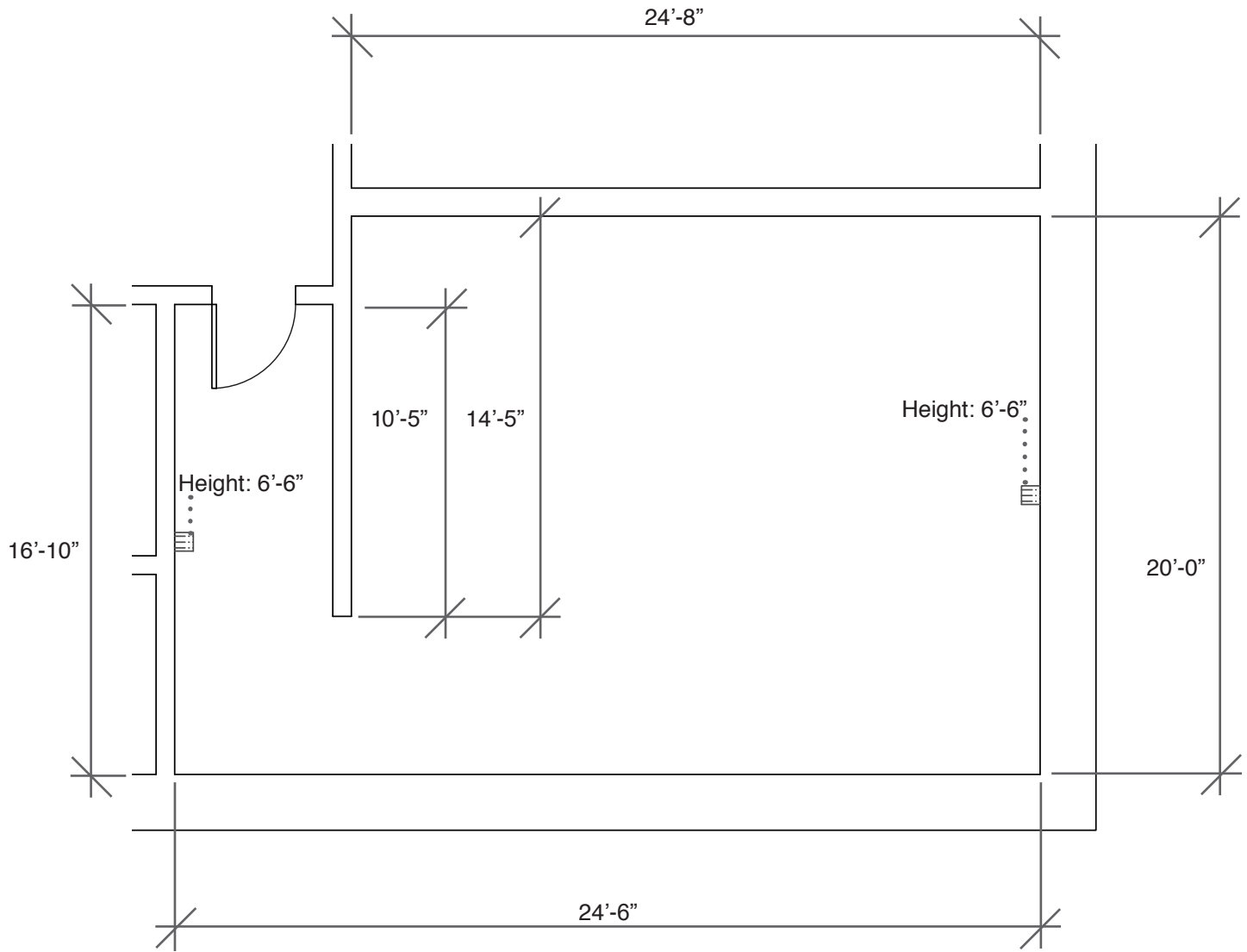


LOWER LEVEL

# TRULAND GALLERY

FLOOR: 593 SQ FT.  
WALL: 710 SQ FT.  
WALL HEIGHT: 7'-8"

  
Wilson Blvd.



## FLOOR PLAN

NTS

